

Bledsoe OR Brace

Application Instructions CP020144 Rev K 02/07



EASY FIT RANGE OF MOTION CONTROL POST-OP BRACE



This device is offered for sale by or on the order of a physician or other qualified medical professional. This device is not intended for reuse on a second patient or for extended use beyond 180 days. This device is generally not intended for patients in excess of 250 lbs (114 kilos). This device is not intended to prevent injuries or reduce or eliminate the risk of reinjury.

Indications: Indicated for immediate application to knees for locked or limited motion control of knee during rehabilitation after operative procedures or injury to knee ligaments, cartilage, or stable or internally fixed fractures of the tibial plateau, condyles, or proximal tibia and distal femur.

Contraindications: Contraindicated for unstable fractures or for fractures of the proximal femur or the distal tibia or fibula.

WARNING: Do not leave this device in the trunk of a car on a hot day or in any other place where the temperature may exceed 150° F (65° C) for any extended period of time. If any additional pain or symptoms occur while using this device, seek medical attention.

Warranty: This device is warranted to be free from defects in material and workmanship for a period of 90 days. These warranties apply to devices that have not been modified or subjected to misuse, abuse or neglect. This device is expressly subject to Bledsoe's Product Line Limited Warranty. Copies of this limited warranty can be obtained from your medical professional, via the internet at www.bledsoebrace.com or by calling (800) 527-3666.

Manufactured by:
Bledsoe Brace Systems™
2601 Pinewood, Grand Prairie, Texas, 75051, USA
Toll Free Tel. 1-888-BLED SOE (253-3763)
Or 1-800-527-3666 • Local Tel. 972-647-0884
Local FAX 972-660-5495
International FAX 972-606-0649
www.bledsoebrace.com

European Authorized Representative:

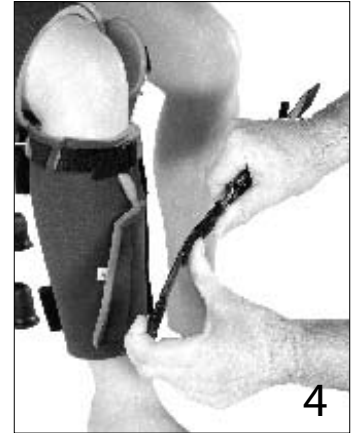
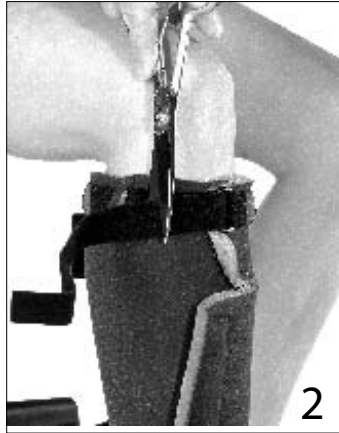


Emergo Europe
Molenstraat 15
2513 BH, The Hague
The Netherlands
Tel: (+31) 70 345 8570
Fax: (+31) 70 346 7299

ORTHOMEDICO (European Bledsoe Agent)
+32 54 504005 www.orthomedico.be

For product information or questions pertaining to sales or service, please contact your area sales representative or Bledsoe Brace Systems directly.

Bledsoe OR Brace Application Instructions



1. Wrap the cuff around to the front of leg. Trim the excess, leaving 2"-3" (5cm-7.6cm) overlap.

NOTE: Top of wrap should be 1-1/4" (3cm) below knee cap.

2. Fasten the 1" (2.5cm) strap on the calf wrap to prevent slippage. The closure should be at the front. Trim excess from strap if necessary.

3. Wrap the cuff around to front of thigh. Trim the excess leaving 2"-3" (5cm-7.6cm) overlap. Fasten the hook to pile fastener.

NOTE: Bottom edge of wrap should be 1-1/2" (3.8cm) above knee cap with leg at 30°.

4. Bend lateral hinge upright assembly to fit contour of leg. Brace should conform to the shape of the leg.



5. With the leg bent 30°, position center of medial hinge axis over adductor tubercle (large bony knot). Position the lateral hinge by visual alignment with the medial hinge.

Note: Hinge upright assemblies have strips of hook material on the inside of uprights that stick to foam for positioning.

6. Starting at the ankle, press in on both hinge uprights while wrapping straps firmly forward to engage hook fastener sections on hinge uprights.

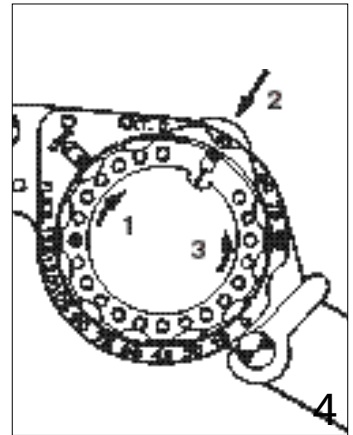
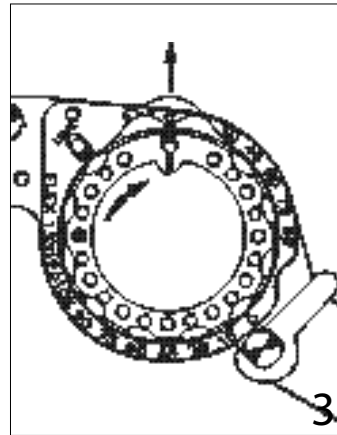
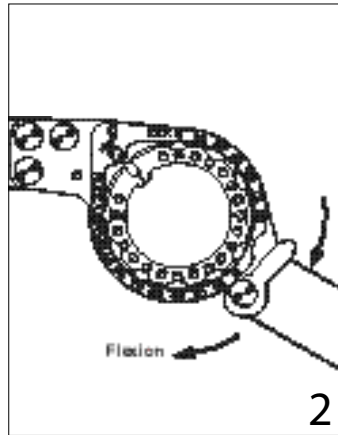
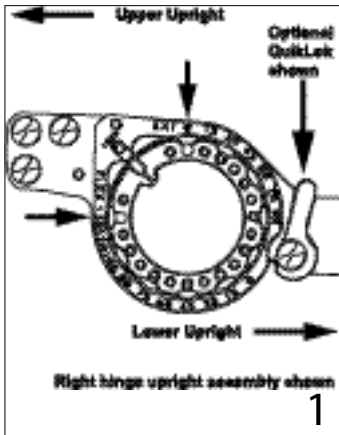
7. Once the strap end is stuck in position, tighten the adjustment strap to prevent the brace from slipping. Make sure not to over tighten the strap and cut off circulation, but the strap should be snug.

Overtensioning straps may reduce circulation.

8. QUIKLOK HINGE OPERATION The Bledsoe OR Brace may be ordered with the optional QuikLok Hinge.

Note: By engaging the medial and lateral cam levers, the brace can be locked rigidly at full extension (180°).

Bledsoe Simple Hinge Application Instructions (optional QuikLok shown)



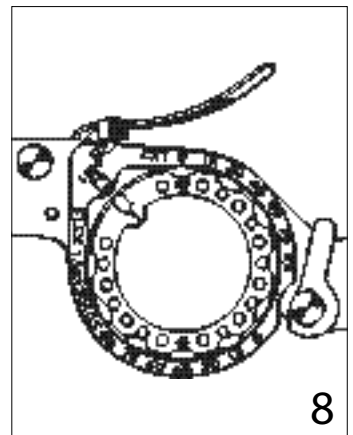
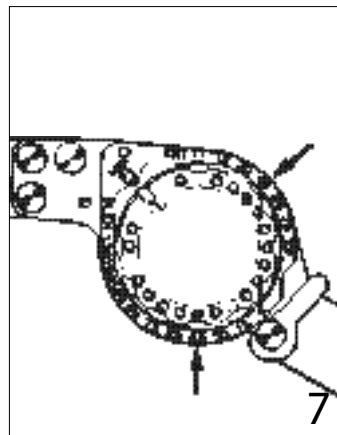
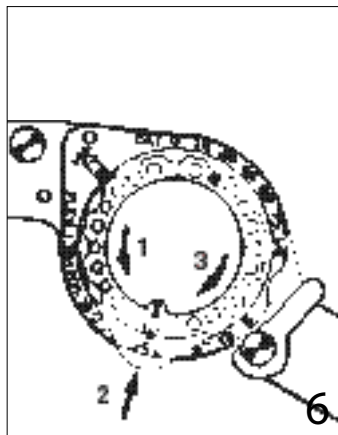
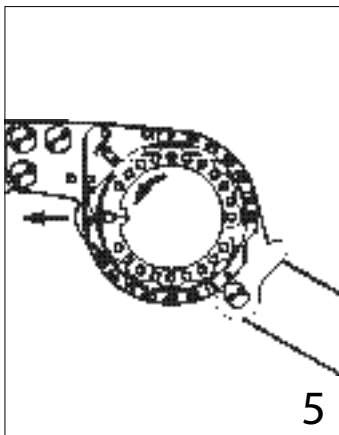
1. Note the present limits by viewing the pins visible in the dial holes.

2. Place the hinge in between the limits of desired motion before attempting to set the limits.

NOTE: Extension limits can be set from 0°-90° in 15° increments. Flexion limits can be set from 0°-135° in 15° increments.

3. Rotate the dial towards the scale marked EXTENSION until the disc pops out.

4. Continue rotating the dial to the desired extension setting (1), push in on the disc firmly until it is seated (2), while holding the disc in, rotate the dial back to the original "LOCK" position to capture the setting (3).



5. Rotate the dial towards the scale marked FLEXION until the disc pops out.

6. Continue rotating the dial to the new desired setting (1), push in on the disc until seated (2), and while holding the disc in, rotate the dial back to the "LOCK" position to capture the limit (3). The limits are now set.

7. To lock the hinge at any setting (in 15° increments), set both limits to the same number. Set one, then move the hinge against that limit and set the other limit.

8. To prevent tampering with the hinge setting, insert a cable tie wrap (six provided) into the hole just above the lock pin slot. In order to change the limits, cut the cable tie wraps.